

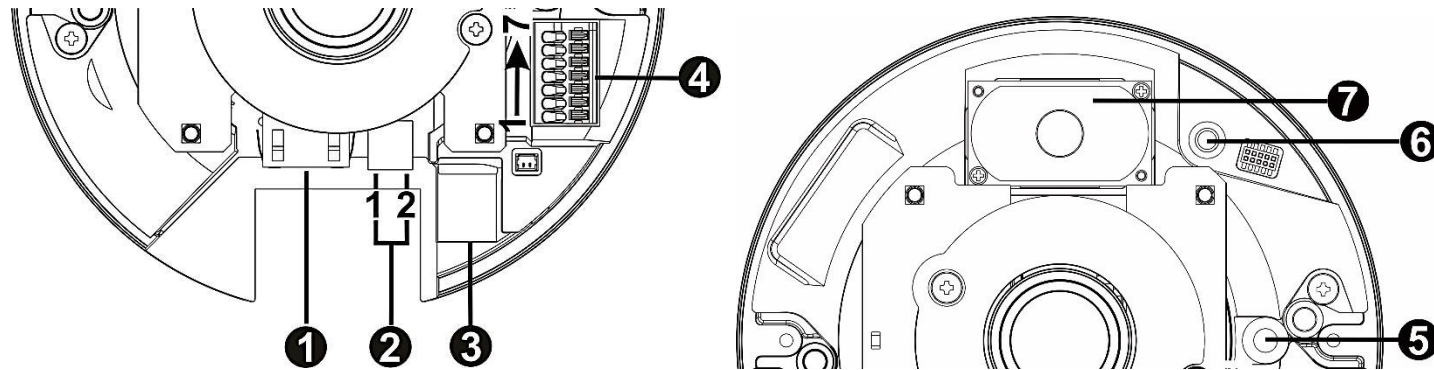
# TF-BFE5A11D Panoramic Fisheye IP Camera Quick Setup Guide

The Quick Guide is for quick installing and connecting the Turing TF-BFE5A11D Panoramic Fisheye IP Camera . For more details, please refer to the User's Manual of the camera.

## Installation Notices

- This camera must be installed by qualified personnel and the installation should conform to all local codes.
- Do not replace batteries of the camera. Risk of explosion may occur if the battery is replaced by an incorrect type.
- To use an external power supply, please contact the camera manufacturer to confirm that the power supply complies with the LPS requirements and shares the same power specifications with the camera.

## Camera's Connectors (Indoor Only)



No.	Connector	Pin	Definition	Remarks
1	RJ-45	-	For network and PoE connections	
2	Power (DC 12V)	1	DC 12V -	Power connection
		2	DC 12V +	
3	microSD Card Slot	-	Insert the microSD card into the card slot to store videos and snapshots. Do not remove the microSD card when the camera is powered on.	
4	Alarm & Audio I/O*	1	Alarm Out +	Alarm connection * Do <b>NOT</b> connect external power supply to the alarm I/O connector of the camera.
		2	Alarm Out -	
		3	Alarm In +	
		4	Alarm In -	
		5	GND	Ground connection
		6	Audio Out (Line Out)	Two-way audio transmission
7	Audio In (Line In)			
5	Built-in Microphone	-	Audio In	
6	Default Button	-	Press the button with a proper tool for at least 20 seconds to restore the system.	
7	Built-in Speaker	-	Audio Out	

**NOTE:** To avoid audio quality degradation, do **NOT** connect built-in microphone and external audio-input device (via Line-in) at the same time. So does the audio-output connection.

**NOTE:** It is not recommended to record with the microSD card for 24/7 continuously, as it may not be able to support long term continuous data read/write. Please contact the manufacturer of the microSD card for information regarding the reliability and the life expectancy.

## Camera Cabling

Please follow the instructions below for cable connections.

### Power Connection

Please use a DC 12V power adaptor and plug it to the camera and the power outlet. Alternatively, users can use an Ethernet cable and connect it to the RJ-45 connector of the camera and a Power Sourcing Equipment (PSE) switch.

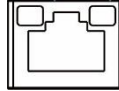
**NOTE:** If the device is powered over Ethernet, make sure the PSE is connected to the network.

### Ethernet Cable Connection

Connect one end of the Ethernet cable to the RJ-45 connector of the camera, and plug the other end of the cable to the network switch or PC.

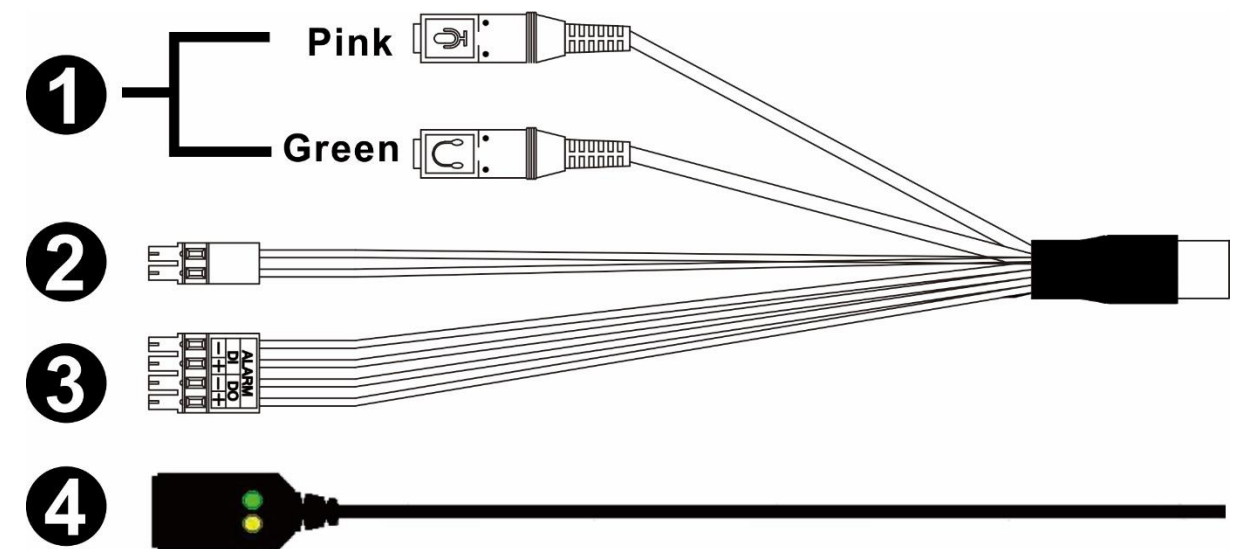
**NOTE:** In some cases, Ethernet crossover cable might be needed when connecting the camera directly to the PC.

**NOTE:** Check the status of the link indicator and activity indicator LEDs. If the LEDs are unlit, please check the LAN connection.

 Green Link Light indicates good network connection.  
Orange Activity Light flashes for network activity indication.

**NOTE:** The ITE is to be connected only to PoE networks without routing to the outside plant or equivalent description.

### Function Cable (Outdoor Only)



No.	Connector	Pin	Definition	Remarks
1	Audio I/O	Pink	Audio In (Line In)	Two-way audio transmission
		Green	Audio Out (Line Out)	
2	Power (DC 12V) (2-Pin Terminal Block)	Black	DC 12V -	Power connection
		Red	DC 12V +	
3	Alarm I/O (4-Pin Terminal Block)	1	Alarm In -	Alarm connection * Do <b>NOT</b> connect external power supply to the alarm I/O connector of the camera.
		2	Alarm In +	
		3	Alarm Out -	
		4	Alarm Out +	
4	RJ-45	-	For network and PoE connections	
-	Default Button	-	Refer to <b>Default Button</b> under section <a href="#">Camera's Connectors (Indoor Only)</a> .	
-	microSD Card Slot	-	Refer to <b>microSD Card Slot</b> under section <a href="#">Camera's Connectors (Indoor Only)</a> .	

## Before Login to the Camera

A client program will be automatically installed to the PC when connecting to the camera. Before logging in to the camera, ensure downloading the ActiveX control is allowed by either changing the ActiveX controls and plug-ins or setting Internet's security level to default.

ActiveX Controls and Plug-ins Settings	Internet Security Level
<p><b>Step 1:</b> Start the Internet Explorer (IE).</p> <p><b>Step 2:</b> Select &lt;Tools&gt; from the main menu of the browser. Then click on &lt;Internet Options&gt;.</p> <p><b>Step 3:</b> Click on the &lt;Security&gt; tab and select &lt;Internet&gt;, and click on &lt;Custom level&gt; to change ActiveX settings.</p> <p><b>Step 4:</b> Set "ActiveX controls and plug-ins" items to &lt;Prompt&gt; or &lt;Enable&gt;.</p>	<p><b>Step 1:</b> Start the Internet Explorer (IE).</p> <p><b>Step 2:</b> Select &lt;Tools&gt; from the main menu of the browser. Then click on &lt;Internet Options&gt;.</p> <p><b>Step 3:</b> Click on the &lt;Security&gt; tab and select &lt;Internet&gt;.</p> <p><b>Step 4:</b> Down the page, click &lt;Default Level&gt; and click on &lt;OK&gt; to confirm the setting. Close the browser window, and open a new one later for accessing the IP camera.</p>

## Camera Login

The default IP address of the camera is: **192.168.1.250**. Therefore, to access the camera for the first time, please set the IP address of the **PC** as: 192.168.1.XXX; for example:

**IP Address: 192.168.1.100**  
**Subnet Mask: 255.255.255.0**

The Turing **Smart Utility** can be used to locate the camera if the PC is on the same LAN. Download the Smart Utility from the turing.ai website. While searching, ensure the "Other" checkbox is checked in the Utility.

## Login ID and Password

- Type in corresponding camera IP address into the URL field on the web browser and hit "Enter".
- Enter the default username (**admin**) and password (**123456**) in the pop-up window. Note that username is case sensitive.

## Install the ActiveX Control

- After connecting to the camera, the request for installing the ActiveX control will appear just below the URL bar.
- Right click on the information bar, and then click on <Install ActiveX Control...> to permit ActiveX control installation.
- In the pop-up security warning window, click on <Install> to start downloading the plugin on the PC.
- Click on <Finish> after plugin installation is complete.

## Network Setup

- To modify camera IP address, go to the camera web interface's System → Network → Basic pages
- Modify the IP address accordingly so it is accessible to the NVR.

## Connecting to Turing Vision

- Complete setup of the Turing Smart Series NVR, bridge, and IP cameras by referring to the Turing Vision quick setup guide.
- Connect the TF-BFE5A11D to the Smart Series NVR by adding it manually using the camera's IP address and ONVIF protocol.
- Once the camera is added as a live channel on the NVR, add to Turing Vision with the web or mobile app.

## Panoramic Modes

The default panoramic mode of the TF-BFE5A11D IP camera is the ceiling-mount 4PTZ mode. Other modes include panoramic, ePTZ, and overview (fisheye) modes. Note that at the time of this release, no Turing NVR or clients support software fisheye dewarp of this camera. Therefore, a front-end dewarp mode is highly recommended.

Turing Video

TF-BFE5A11D Panoramic Fisheye IP Camera

Quick Setup Guide

Ver. 1.0